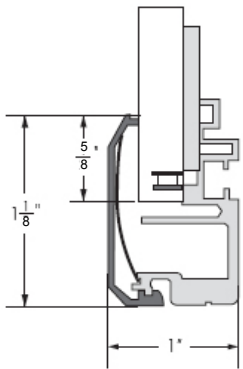


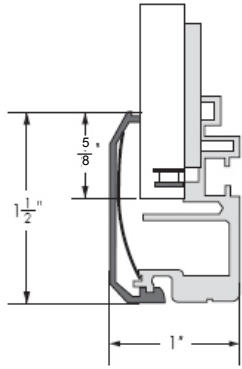
LED Light Box

Profile View of LED Light Box

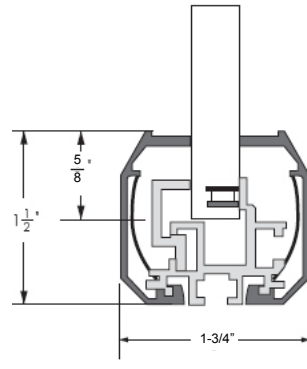
LLB12-13
Single Sided
LED Light Box



LLB12-14
Single Sided
LED Light Box



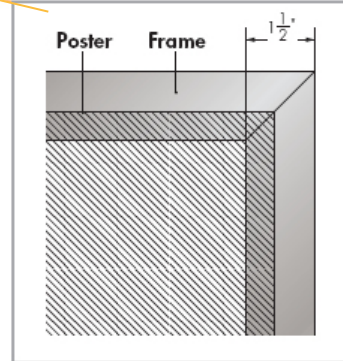
LLB12-15
Double Sided
LED Light Box



Front View of LED Light Box



Detail (Frame #14, #15)



Examples (Frame #14, #15)

Poster (inches)	Exterior (inches)	Visible Area (inches)
18"x24"	19-3/4"x25-3/4"	16-3/4"x22-3/4"
24"x36"	25-3/4"x37-3/4"	22-3/4"x34-3/4"
48"x96"	49-3/4"x97-3/4"	46-3/4"x94-3/4"

Graphic Size = a" x b"

#13: Outside Dimension = (a+1") x (b + 1")

#14, #15: Outside Dimension = (a+1 3/4") x (b + 1 3/4")

**** All dimensions are subject to ± 1/8" tolerance**

Categories		Specifications
Electrical	Input Voltage	12 Volt DC
	Power Consumption	0.17W / LED(Standard) or 0.21/LED (High Output)
	Wire Size	20 AWG 2 wire
	Connector	2.1mm x 5.5mm barrel connector
Physical	Color Temperature	5300 K
	Frame Width	1-1/2"
	Frame Thickness	1" (#13 & 14-Single sided), 1-3/4" (#15-Double sided)
	Frame Material & Color	Aluminum snap frame, Color: Silver / Black
	Driver Included	INPUT: 100V~240V, 50/60 HZ, 1.5A OUTPUT: 12VDC, 5.0A Wattage: 60W (Dimension: 9"x1.5"x1.25")
	Mounting	Wall mounted with screws or pendant with hanging wires
	Operating Temperature	-30 C ~ +40C
Certification	Certification	
	Environment	Dry location only

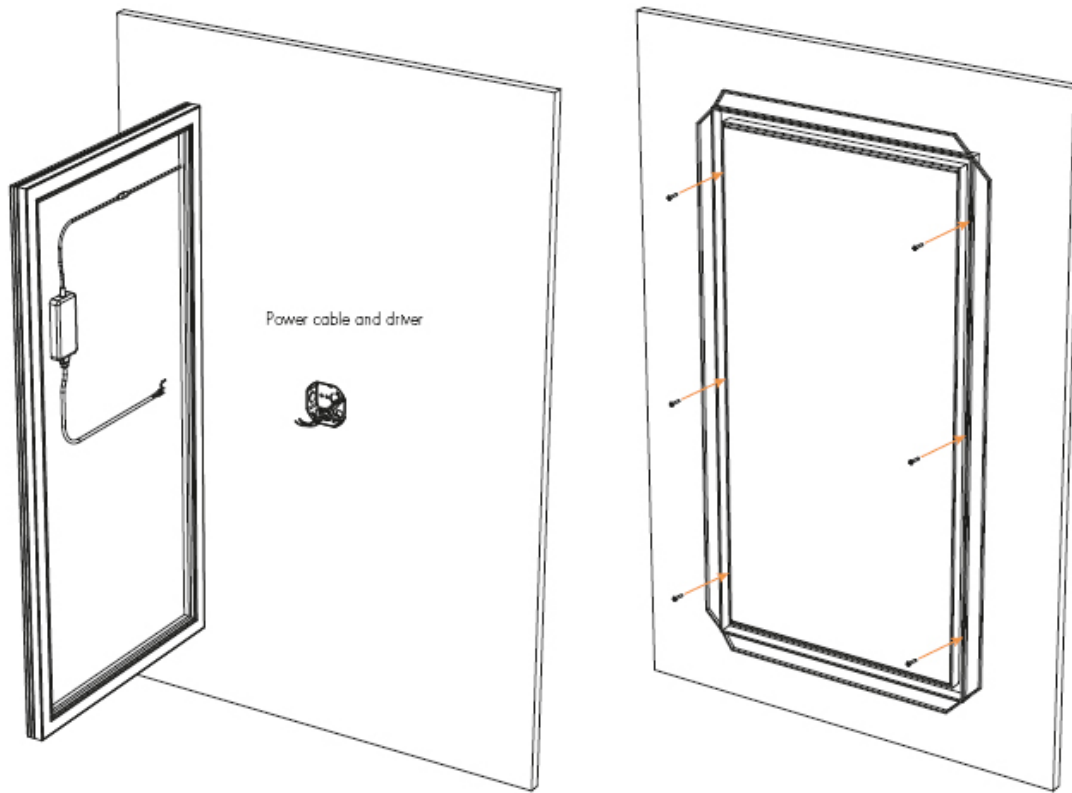
Features & Benefits

- Custom sizes available (8.5"x11" ~ 48"x96")
- High performance optic acrylic plate
- 1 inch wall thickness
- Single and double sided boxes available
- UL, cUL listed
- 2 year warranty



Mounting & Wiring Instructions

Wall Mount



Pendant

